

## Valve Position Monitor c/w 2-off SPDT switches 810.190 – DATA SHEET



### Description

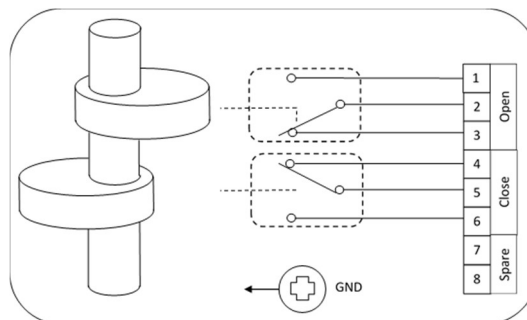
Spacx Valve Position Monitors (VPM) provide for a local visual valve position indication and a remote electrical valve position indication in a robust and compact design.

These VPM's are designed to be close coupled directly to the actuator output shaft and by means of a SS304 bracket to pneumatic and hydraulic valve actuators with NAMUR VDI/VDE 3845 top.

### Technical Data

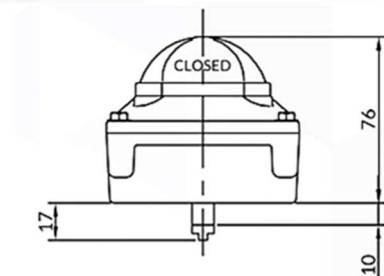
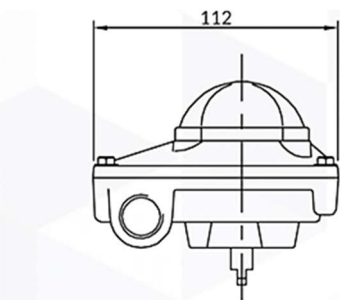
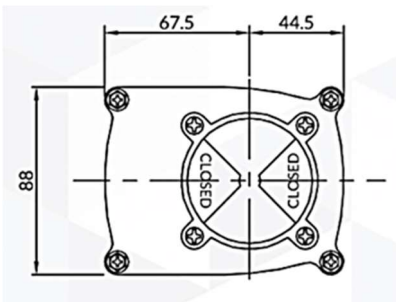
- Die Cast Aluminium enclosure, NBR O-ring sealed
- IP67 standard
- Polyester powder coated black finish
- Stainless steel NAMUR shaft VDI/VDE 3845
- 2x M20x1,5 Cable entries
- 2x SPDT mechanical microswitches
- Switches independently adjustable at open and close position
- Voltage/Amps 240VAC/16A, 125VAC/16A, 250VDC/0.3A, 125VDC/0.6A, 30VDC/10A
- Spare terminals to act as a junctionbox for a solenoid valve.
- Captive stainless steel cover bolts
- -20 to +80°C Ambient temperature
- Bracket to suit 80x30x20 NAMUR VDI/VDE 3845

### Schematic



### Available Options:

- Atex Approved EXD
- P&F Proximity sensors
- 1-10K potentiometer
- PG13,5 & ½" NPT
- IP68 tested & reported
- SS316 enclosure
- Bracket to suit NAMUR 80x30x30 or 120x30x30
- Mounting set to suit non NAMUR actuators



### Spacx Actuators & Controls

Heinz Moormanstraat 1<sup>E</sup>, 5831 AS Boxmeer – The Netherlands

+31 (0)485-324739 – info@spacx.nl – [www.spacx.nl](http://www.spacx.nl)

All rights reserved, data is subject to change without notice