

CBB Double-Acting Series Pneumatic Actuators

Disassembly and Reassembly



Table of Contents

Section 1: Introduction

1.1	General Service Information	1
1.2	Definitions	2
1.3	General Safety Information	2
1.4	Bettis Actuator Reference Materials	3
1.5	Service Support Items	3
1.6	Lubrication Requirements	3
1.7	General Tool Information	3
1.8	Actuator Weight	3
1.9	Actuator Storage	4
1.10	Actuator Installation	4
1.11	Actuator Start-up	4
1.12	Actuator Operation	5

Section 2: Actuator Disassembly

2.1	General Disassembly	6
2.2	Pneumatic Cylinder Disassembly	6
2.3	Housing Disassembly	8

Section 3: Actuator Reassembly

3.1	General Reassembly	10
3.2	Actuator Reassembly per CBB Models Listed in Step 3.1.5.1	10
3.3	Actuator Reassembly per CBB Models Listed in Step 3.1.5.2	14

Section 4: Actuator Testing

4.1	Actuator Testing	20
-----	------------------------	----

Section 5: Troubleshooting

5.1	Fault Insertion	22
5.2	Operational Test	23

Section 6: Removal and Decommissioning

6.1	Removal and Decommissioning	24
-----	-----------------------------------	----

Section 7: Document Revision

List of Tables

Appendix A: List of Drawings

Section 1: Introduction

1.1 General Service Information

- 1.1.1 This service procedure is offered as a guide to enable general maintenance to be performed on Bettis CBB double-acting series actuators. The following is a list of general CBB model numbers.

Table 1. CBB Model Numbers

MODEL (1)	MODEL (2)	MODEL (3)
315	315-M3	315-M3HW
420	420-M3	420-M3HW
520	520-M3	520-M3HW
525	525-M3	525-M3HW
725	725-M3	725-M3HW

(1) Also includes actuator models with -10 and -11 as a suffix

NOTE:

When the actuator model number has “-S” as a suffix then the actuator is special and may have some differences that may not be included in this procedure.

- 1.1.2 Normal recommended service interval for this actuator series is five years.

NOTE:

Storage time is counted as part of the service interval.

- 1.1.3 This procedure is applicable with the understanding that all electrical power and pneumatic pressure has been removed from the actuator.
- 1.1.4 Remove all piping and mounted accessories that will interfere with the module(s) that are to be worked on.
- 1.1.5 This procedure should only be implemented by a technically competent technician who should take care to observe good workmanship practices.
- 1.1.6 Numbers in parentheses, () indicate the bubble number (reference number) used on the Bettis assembly drawing and actuator parts list.
- 1.1.7 When removing seals from seal grooves, use a commercial seal removing tool or a small screwdriver with sharp corners rounded off.
- 1.1.8 Use a non-hardening thread sealant on all pipe threads.

⚠ CAUTION

Apply the thread sealant per the manufacturer’s instructions.

- 1.1.9 Emerson recommends that disassembly of the actuator should be done in a clean area on a workbench.

1.2 Definitions

WARNING

If not observed, user incurs a high risk of severe damage to actuator and/or fatal injury to personnel.

CAUTION

If not observed, user may incur damage to actuator and/or injury to personnel.

NOTE:

Advisory and information comments provided to assist maintenance personnel to carry out maintenance procedures.

NOTE:

This product is only intended for use in large-scale fixed installations excluded from the scope of Directive 2011/65/EU on the restriction of the use of certain hazardous substances in electrical and electronic equipment (RoHS 2).

ES: Extended stop screw (for travel stop adjustment over a full 100° degree travel range). ES is not intended for use as a manual override.

M3: Manual jackscrew override

1.3 General Safety Information

1.3.1 Products supplied by Emerson, in its “as shipped” condition, are intrinsically safe if the instructions contained within this service instruction are strictly adhered to and executed by well trained, equipped, prepared and competent personnel.

WARNING

For the protection of personnel working on Bettis actuators, this procedure should be reviewed and implemented for safe disassembly and reassembly. Close attention should be noted to the WARNINGS, CAUTIONS and NOTES contained in this procedure.

WARNING

This procedure should not supersede or replace any customer’s plant safety or work procedures. If a conflict arises between this procedure and the customer’s procedures the differences should be resolved in writing between an authorized customer’s representative and an authorized Emerson/Bettis representative.

1.4 Bettis Actuator Reference Materials

- 1.4.1 CBBXXX Assembly Drawing use part number VA001-005-72-4.
- 1.4.2 CBBXXX-M3HW Assembly Drawing use part number VA001-005-73-3.

1.5 Service Support Items

- 1.5.1 Bettis service kit
- 1.5.2 Commercial leak testing solution
- 1.5.3 Non-hardening thread sealant

1.6 Lubrication Requirements

- 1.6.1 The actuator should be relubricated at the beginning of each service interval using the following recommended lubricants.

NOTE:

Lubricants other than those listed in steps 1.6.2 should not be used without prior written approval of Emerson product engineering. The lubricant item number on some assembly drawings is item (5) while the Bettis service kits lubricant item number is item number (500).

- 1.6.2 All temperature services (-50°F to +350°F)/(-45.5°C to 176.6°C) use Bettis ESL-5 lubricant. ESL-5 lubricant is contained in the Bettis Module Service Kit in tubes and the tubes are marked ESL-4, 5 and 10 lubricant.

1.7 General Tool Information

- 1.7.1 All threads on CBB Series actuators are Inch Unified and NPT.
- 1.7.2 All tools/Hexagons are American Standard inch. Two adjustable wrenches, Allen wrench set, small standard screwdriver with sharp edges rounded off, medium size standard screwdriver, diagonal cutting pliers, external snap ring pliers, flat file, drive ratchet / deep well socket set and torque wrench (up to 2,000 lb-in / 226 Nm).

1.8 Actuator Weight

Table 2. Actuator Weight

Actuator Model	Approximate weight (1)		Actuator Model	Approximate weight (1)	
	LB	KG		LB	KG
CBB			CBB		
315	20	9.1	520-M3HW	38	17.2
315-M3	23.2	10.5	525	44	20
315-M3HW	25	11.3	525-M3	50	22.7
420	22	10	525-M3HW	56	25.4
420-M3	29.4	13.4	725	68	31
420-M3HW	33	15	725-M3	75	34
520	28	12.7	725-M3HW	81	37
520-M3	34.4	15.7			

(1) Weight is for bare actuator without accessories or valve adaptation.

1.9 Actuator Storage

For applications where the actuator is not put into immediate service, it's recommended that the actuator be cycled with regulated clean/dry pneumatic pressure at least once per month. Indoor storage, if available, is recommended for all actuators. Care should be taken to plug all open ports on actuator and controls to keep out foreign particles and moisture. Also, actuators should not be stored in an atmosphere harmful to resilient seals. For extended storage, contact the manufacturer's representative.

1.10 Actuator Installation

1.10.1 Since there are many valve and actuator combinations, it is not practical to include detailed instructions for each type. Mountings are designed to be as simple as possible to keep guess work out of installation.

1.10.2 Actuators are shipped from the factory with the travel stops adjusted for approximately ninety degree rotation. Generally it is necessary to make slight travel stop adjustments once the actuator is installed on the valve. Refer to the valve manufacturer's recommendations for specific requirements. When the valve has internal stops, the actuator should be adjusted at the same points.

NOTE:

The actual "stopping" should be done by the actuator. If the valve does not have internal stops, adjust the actuator to the full open position. Using this as a reference point, rotate the valve closed and adjust to the valve manufacturer's specifications for total rotation.

1.10.3 Good instrument practices are also recommended. Clean/dry regulated pneumatic pressure is essential for long service life and satisfactory operation. It should be noted that new pneumatic lines often have scale and other debris in them and these lines should be purged of all foreign material.

NOTE:

Scale and debris can damage control valves, solenoids, seals, etc.

1.11 Actuator Start-up

1.11.1 Prestart-up checks

1. Unit has been mounted on valve properly. Gear flange mounting bolts, stem key, setscrew(s) installed and secured.
2. No tubing damaged or accessories dislodged during shipping or installation.
3. Indicated position confirms valve position.
4. All switching valves in normal operating position as per Schematic/Instructions.

1.11.2 Check Connections

1. Pneumatic/hydraulic components connected as per schematic enclosed or in service manual supplied.
2. Pneumatic supply connected to identified ports.
3. Electrical connections terminals are secure.
4. Wiring as per enclosed diagram or service manual supplied.

1.11.3 When actuator is first put into service it should be cycled with regulated pneumatic pressure. This is necessary because the seals have been stationary, causing them to take a "set". Therefore, the actuator should be operated through several cycles, exercising the seals, resulting in a service ready condition.

1.11.4 The actuator speed of operation is determined by a number of factors including:

1. Power supply line length
2. Power supply line size
3. Power supply line pressure
4. Control valve and fitting orifice size
5. Torque requirements of the valve
6. Size of the actuator
7. Setting of speed controls

1.11.5 Due to the interaction of these variables it is difficult to specify a "normal" operating time. Faster operating times may be obtained by using one or more of the following:

1. Larger supply lines
2. Larger control valve
3. Higher supply pressure*
4. Quick exhaust valves

*Not to exceed maximum operating pressure of actuator or control components

1.11.6 Slower operating times may be obtained by using flow control valves to meter the exhaust. Excessive exhaust flow metering may cause erratic operation. Normally, incoming supply should not be metered.

1.12 Actuator Operation

1.12.1 Controlled Operation: Controlled operation is accomplished by pressurizing and/or depressurizing the appropriate cylinder inlet(s) of a double-acting. **Do not exceed pressures indicated on actuator nameplate.**

1.12.2 Manual Operation: All pressure must be vented or equalized on both sides of the pneumatic piston prior to manual operation.

Section 2: Actuator Disassembly

2.1 General Disassembly

WARNING

It is possible that the actuator may contain a dangerous gas and/or liquids. Ensure that all proper measures have been taken to prevent exposure or release of these types of contaminants before commencing any work.

CAUTION

Pressure applied to the actuator is not to exceed the maximum operating pressure rating listed on the actuator name tag.

NOTE:

Before starting the general disassembly of the actuator it is a good practice to operate actuator with the pressure used by the customer to operate the actuator during normal operation. Notate and record any abnormal symptoms such as jerky or erratic operation.

- 2.1.1 Remove all operating pressure from actuator.
- 2.1.2 Record the settings of stop screw or M3 jackscrews (1-70) and (4-30) before stop screws are loosened or removed.

NOTE:

In place of stop screws the actuator may be equipped with one or two ES (ES = Extended Stops) or M3/M3HW (1-70) located on outboard end of housing (1-10) and M3/M3HW (4-30) on the end cap (4-20).

2.2 Pneumatic Cylinder Disassembly

NOTE:

Review Section 2 steps 2.1.1 through 2.1.2 before proceeding with cylinder disassembly.

- 2.2.1 Remove hex nut (4-40) as follows: CBB315 through CBB725 standard end cap stop screw or extended stop (ES) use step 2.2.1.1. CBB315 through CBB725 with -M3 or -M3HW use step 2.2.1.2.
 - 2.2.1.1 **For CBB315 through 725:** end cap stop screw or extended stop screw (ES)
 - 2.2.1.1.1 Loosen and remove hex nut (4-40) and washer (4-90) from stop screw (4-30) located in end cap (4-20).
 - 2.2.1.1.2 Remove stop screw (4-30) from the end cap (4-20).

2.2.1.2 For CBB315/420/520/525/725-M3 or M3HW:

2.2.1.2.1 Remove retainer ring (12-30) and groove pin (12-20) from optional hex drive hub or from hand wheel (12-10).

2.2.1.2.2 Remove optional hex drive hub or hand wheel (12-10) from M3 jackscrew (1-70).

2.2.1.2.3 Loosen and remove hex nut (4-40) from M3 jackscrew (1-70).

NOTE:

CBB315/420/520/525/725-M3 or M3HW models the M3 jackscrew (1-70) cannot be removed now. The M3 used in these models can be removed later in this procedure using step 2.2.8.

ES (4-30), stop screw (4-30) or CBB315-M3 (1-70) does not require removal from end cap (4-20) unless replacing with a new ES, stop screw or M3.

2.2.2 Remove housing side hex nut (8-20) from center bar (8-10).

2.2.3 Remove outer end cap (4-20) with center bar (8-10) from outboard end of cylinder (4-10).

2.2.4 While holding housing torque shaft (1-30) pull cylinder (4-10) away from housing (1-10).

2.2.5 Slide cylinder (4-10) over piston seal (5-40) and remove.

2.2.6 Remove piston (4-50) from housing (1-10).

NOTE:

Piston (4-50) is an assembly made up of one roll pin and one yoke pin; do not attempt to disassemble the piston assembly.

2.2.7 On actuator models CBB415/520/725 remove cylinder adapter (4-15) from flange of housing (1-10).

2.2.8 M3 Jackscrew Removal From End Cap (4-20).

2.2.8.1 CBB315/415 with a M3 remove M3 jackscrew (4-30) from the backside of end cap (4-20).

2.2.8.2 CBB420/520/525/725 with a M3 jackscrew remove per following steps.

2.2.8.2.1 Remove retainer ring (5-60) from M3 adapter (4-55).

2.2.8.2.2 Remove M3 adapter (4-55) from end cap (4-20).

NOTE:

The M3 adapter will be removed from backside of end cap (4-20) with the M3 jackscrew.

ES (4-30), stop screw (4-30) or CBB315-M3 jackscrew (1-70) does not require removal from end cap (4-20) unless replacing with a new ES, stop screw or M3.

2.3 Housing Disassembly

NOTE:

Review Section 2 steps 2.1.1 through 2.1.2 before proceeding with housing disassembly.

- 2.3.1** Remove hex nut (1-80) as follows: CBB315 through 725 standard housing stop screw or extended stop (ES) use step 2.3.1.1. CBB315-M3/M3HW through CBB725-M3/M3HW use step 2.3.1.2.
- 2.3.1.1** CBB315 through 725 housing stop screw or extended stop screw (ES)
- 2.3.1.1.1** Loosen and remove hex nut (1-80) and CSK washer (2-35) from stop screw (1-70) located in housing (1-10).
- 2.3.1.1.2** Remove stop screw (1-70) from the end of housing (1-10).
- 2.3.1.2** CBB315/420/520/525/725-M3 or M3HW
- 2.3.1.2.1** Remove retainer ring (12-30) and groove pin (12-20) from optional hex drive hub or from hand wheel (12-10).
- 2.3.1.2.2** Remove optional hex drive hub or hand wheel (12-10) from M3 jackscrew (1-70).
- 2.3.1.2.3** Loosen and remove hex nut (1-80) from M3 jackscrew (1-70).

NOTE:

CBB315, 420, 520, 525, 725-M3 or M3HW models the M3 cannot be removed now. The M3 used in these models can be removed later in this procedure using steps 2.3.7 or 2.3.8.

Stop screw (1-70) does not require removal from the housing (1-10) unless replacing with a new ES, stop screw or M3.

- 2.3.2** Remove both retaining rings (1-60) from torque shaft (1-30). Remove washers (1-65) from housing.
- 2.3.3** The following steps may be required before disassembly can continue.
- 2.3.3.1** If torque shaft (1-30) has any raised burrs or sharp edges they should be removed.

NOTE:

When removing burrs and sharp edges, remove as little metal as possible.

- 2.3.3.2** If there is excessive paint build-up on torque shaft (1-30) it should be removed in order to remove the washers.
- 2.3.4** Remove the torque shaft (1-30) by pushing it out one side of housing (1-10).
- 2.3.5** Remove yoke key (1-40) and yoke key spring (1-50) from torque shaft (1-30).
- 2.3.6** Remove yoke (1-20) from housing (1-10).
- 2.3.7** Actuator models CBB315/415 with a M3 or M3HW mounted in the outboard end of housing (1-10) remove M3 jackscrew (1-70) from housing (1-10).

NOTE:

The M3 jackscrew (1-70) will be removed from the inside of housing (1-10).

2.3.8 Actuator models CBB420/520/525/725 with a M3 or M3HW mounted in the outboard end of housing (1-10) complete steps 2.3.8.1 and 2.3.8.2.

2.3.8.1 Remove retainer ring (2-40) from M3 adapter (1-90).

2.3.8.2 Remove M3 adapter (1-90) from housing (1-10).

NOTE:

The M3 adapter will be removed from the inside of housing (1-10) with the M3 jackscrew (1-70).

Section 3: Actuator Reassembly

3.1 General Reassembly

CAUTION

Only new seals that are still within the seals expectant shelf life should be installed into the actuator being refurbished.

- 3.1.1 Remove and discard all old seals and gaskets.
- 3.1.2 All parts should be cleaned to remove all dirt and other foreign material prior to inspection.
- 3.1.3 All parts should be thoroughly inspected for excessive wear, stress cracking, galling and pitting. Attention should be directed to threads, sealing surfaces and areas that will be subjected to sliding or rotating motion. Sealing surfaces of the cylinder, torque shaft and center bar must be free of deep scratches, pitting, corrosion and blistering or flaking coating. There are two O-rings on the torque shaft and two extra O-rings beneath the washers on the housing. These items **MUST** be replaced upon reassembly.

CAUTION

Actuator parts that reflect any of the above listed characteristics may need replacement with new parts.

- 3.1.4 **Installation Lubrication Instructions:** Use the correct lubrication as defined in Section 1 step 1.6.
 - 3.1.4.1 Before installation, lightly coat with approved grease, all moving parts.
 - 3.1.4.2 Lightly coat all seals with lubricant before installing into seal grooves.
- 3.1.5 **Reassemble the Actuator Models per the Following Listing:**
 - 3.1.5.1 Reassemble the following models per steps 3.2: CBB315/420/520/525 and CBB725.
 - 3.1.5.2 Reassemble the following models per steps 3.3: CBB315-M3, 315-M3HW, 420-M3, 520-M3, 525-M3 and CBB725-M3 (also included M3 jackscrew with hand wheels i.e. M3HW).

3.2 Actuator Reassembly per CBB Models Listed in Step 3.1.5.1

NOTE:

Review Section 3 steps 3.1.1 through 3.1.5 before proceeding with actuator reassembly. The following steps used to reassemble the following models: CBB315, 420, 520, 525 and 725.

Use assembly drawing part numbers VA-001-005-72 for this section.

In section 3.2 where the step indicates to “lubricate, coat or apply lubricant”, use lubricant as identified in Section 1 step 1.6 for lubricating the part being installed.

- 3.2.1 Apply a coating of lubricant to the torque shaft holes located on each side of housing (1-10).
- 3.2.2 Prior to installing new seals: Fit the torque shaft snap ring groove with installation rings that come with the CBB service kits. These rings help guide the torque-shaft through the housing and seals which will prevent seal damage. It is a good idea to first take out both old seals, then install the rings onto the shaft, and then install seals in housing. Once this is done, remove install rings and proceed.
- 3.2.3 Coat the O-ring seal (2-20) with grease upon installation.

NOTE:

The cup/lip of torque shaft seal will be installed facing inward into the housing.

- 3.2.4 Coat yoke (1-20) with lubricant and install into housing (1-10). Apply a generous amount of lubricant to the slots in the arms of yoke (1-20).
- 3.2.5 Insert the yoke key spring (1-50), with the ends pointing down, into the slot in the torque shaft (1-30) and place the yoke key (1-40) on top of the spring with the tapered side outward.

⚠ WARNING

If the yoke key (1-40) is installed incorrectly the housing may be damaged when next disassembly occurs. Refer to assembly drawing for correct yoke key spring and yoke key orientation.

- 3.2.6 Hold the yoke key (1-40) down with your thumb; insert the torque shaft (1-30) by gently rotating it into the housing (1-10) and yoke (1-20) on the opposite side of the installed O-ring seal (2-20).

NOTE:

Two new retaining rings (1-60) are contained in the Bettis CBB Service Kits.

- 3.2.7 Install one of the new retaining ring (1-60) and washer (1-65) onto the exposed end of the torque shaft, making certain it is properly seated in the groove of the torque shaft (1-30). Gently push and rotate the torque shaft (1-30) until the retaining ring (1-60) is pressed against the housing (1-10). Install the other retaining ring (1-60) and washer (1-65) to the other side of the torque shaft (1-30).

⚠ CAUTION

Rotate the torque shaft until the yoke key snaps into the yoke keyway.

- 3.2.8** Rotate the torque shaft (1-30) so that the arms of yoke (1-20) point out the open end of housing (1-10).
- 3.2.9** Coat O-ring seal (5-20) with lubricant and install into inner diameter seal groove located in the center bar hole of housing (1-10).
- 3.2.10** Coat entire length of center bar (8-10) with lubricant including the threads.
- 3.2.11** Install hex nut (8-20) onto one end of center bar (8-10).
- 3.2.12** Insert center bar (8-10) into the center hole of housing (1-10). Slide center bar through housing until the hex nut (8-20) is flush against housing (1-10).
- 3.2.13** Coat one O-ring seal (5-10) with lubricant and install onto outer diameter flange located on housing adapter end of housing (1-10).
- 3.2.14** Actuators equipped with cylinder adapter (4-15), models CBB520/725, do steps as follows:
 - 3.2.14.1** Install cylinder adapter (4-15) onto the flange of housing (1-10) and over O-ring seal (5-10), with the stepped outer diameter, of cylinder adapter (4-15), facing away from housing (1-10).
 - 3.2.14.2** Install one O-ring seal (5-15) onto stepped diameter of cylinder adapter (4-15).
- 3.2.15** Coat the following areas of piston (4-50) with lubricant: The outer diameter seal groove, inner diameter seal groove, head of piston and exposed ends of yoke pin.
- 3.2.16** Coat O-ring seal (5-20) with lubricant and install in the internal seal groove in the head of piston (4-50).
- 3.2.17** Coat piston seal (5-40) with lubricant and install into outer diameter seal groove of piston (4-50). The piston seal will fit very loosely in the outer diameter seal groove.
- 3.2.18** Install bushing (4-80) between the two arms of yoke (1-20).
- 3.2.19** With the piston head facing away from housing (1-10) and with yoke pin up, install piston (4-50) onto center bar (8-10).
- 3.2.20** Carefully slide piston (4-50) along center bar (8-10) until yoke pin engages the two slots in the arms of yoke (1-20).

NOTE:

While holding the center bar flush against the housing, push piston (4-50) into housing (1-10) as far as the piston will go. Check to see that bushing (4-80) is positioned between the yoke (1-20) and the stem of piston (4-50).

- 3.2.21** Apply a coating of lubricant to entire bore of cylinder (4-10).
- 3.2.22** Pneumatic cylinder installation:
 - 3.2.22.1** For CBB520 and 725 models, install the lubricated cylinder (4-10) over the piston and up-against the O-ring seal (5-15) on the stepped diameter flange of cylinder adapter (4-15).
 - 3.2.22.2** For CBB315, 420 and 525 models, install the lubricated cylinder (4-10) over the piston and up-against the O-ring seal (5-10) on the flange of housing (1-10).
- 3.2.23** End cap seal installation.
 - 3.2.23.1** Coat O-ring seal (5-20) with lubricant and install in the internal seal groove of end cap (4-20).
 - 3.2.23.2** Install O-ring seal (5-15) onto outer diameter of end cap (4-20).
- 3.2.24** Install end cap (4-20) onto center bar (8-10) and into cylinder (4-10).

NOTE:

Position the end cap (4-20) so that the inlet port is at the bottom and the ES or stop screw (4-30) is at the top.

⚠ WARNING

If step 3.3.24 is not completed as described, the center bar O-ring seals (5-20) may become a source of pressure leakage and cause the actuator to fail.

- 3.2.25** Install the second hex nut (8-20) onto the cylinder end of center bar (8-10). Adjust the two hex nuts (8-20) such that the approximate same number of threads is exposed on the ends of the center bar (8-10).

⚠ WARNING

Do not allow end cap (4-20) to rotate during center bar tightening. The end cap must maintain the position as described in step 3.2.23.

- 3.2.26** Tighten center bar (8-10) to the proper torque as specified in the following chart.

Table 3. Tightening Torque Center Bar (1)

CBB Actuator Model	Maximum Torque	
	lb-in	Nm
315	55	75
420 AND 520	100	136
525 AND 725	130	176

- 3.2.27** If removed, install ES or stop screw (4-30) into end cap (4-20).
- 3.2.28** Install O-ring seal (5-30) onto the ES or stop screw (4-30). Install the O-ring seal against the end cap (4-20).
- 3.2.29** Install new washer (4-90) onto the ES or stop screw (4-30). Install the washer against the end cap (4-20).
- 3.2.30** Install hex nut (4-40) onto stop screw (4-30).

NOTE:

Leave hex nut hand tight.

- 3.2.31** If removed install ES or stop screw (1-70) into housing (1-10).
- 3.2.32** Install O-ring seal (2-30) and CSK washer (2-35) onto the ES or stop screw (1-70). Install O-ring seal against the housing (1-10).
- 3.2.33** Install hex nut (1-80) onto ES or stop screw (1-70). Leave hex nut hand tight.
- 3.2.34** Adjust both stop screws or ES (1-70) and (4-30) back to setting recorded in Section 2 step 2.1.2 under general disassembly. Tighten both hex nuts (4-40) and (1-80) securely, while holding the ES or stop screws in place/position.

3.3 Actuator Reassembly per CBB Models Listed in Step 3.1.5.2

NOTE:

The following steps are used to reassemble the models: CBB315-M3, CBB420-M3, CBB520-M3, CBB525-M3 and CBB725-M3 (also included M3 jackscrew with hand wheel i.e. M3HW). Use assembly drawing part number VA001-05-73 for this section.

In section 3.3 where the step indicates to “lubricate, coat or apply lubricant”, use lubricant as identified in Section 1 step 1.6 for lubricating the part being installed.

3.3.1 M3 Jackscrew (1-70) Housing Installation for CBB315/415-M3 AND CBB315/415-M3HW Model Actuators.

3.3.1.1 Apply a light coating of lubricant to the threads of M3 jackscrew (1-70).

NOTE:

M3 jackscrew (1-70) will be installed from the inside of housing (1-10).

3.3.1.2 Insert and rotate M3 jackscrew (1-70) into housing (1-10).

NOTE:

Rotate the M3 jackscrew into the housing until the inboard end of the M3 jackscrew is up against the inside of housing (1-10).

3.3.1.3 Install O-ring seal (2-30) onto M3 jackscrew (1-70).

NOTE:

Move the O-ring seal (2-30) down the M3 jackscrew until it is next to the housing (1-10).

3.3.1.4 Install hex nut (1-80) and CSK washer (2-35) onto M3 jackscrew (1-70).

NOTE:

Rotate the hex nut down the M3 jackscrew until it is next to the housing (1-10).

3.3.1.5 Continue reassembly at step 3.3.3.

3.3.2 M3 Jackscrew Housing Installation for CBB420-M3 through CBB725-M3 Model Actuators (includes M3HW models).

3.3.2.1 Apply a coating of lubricant to outer diameter and inner diameter threads of M3 adapter (1-90).

3.3.2.2 Coat O-ring seal (2-45) with lubricant and install into outer diameter seal groove located in the M3 adapter (1-90).

3.3.2.3 Apply a light coating of lubricant to the threads of M3 jackscrew (1-70).

3.3.2.4 Insert and rotate M3 jackscrew (1-70) into M3 adapter (1-90).

NOTE:

Rotate the M3 jackscrew into the adapter until the inboard end of the jackscrew is up against the adapter. M3 adapter (1-90) will be installed from the inside of housing (1-10).

3.3.2.5 Install M3 adapter (1-90) into housing (1-10).

3.3.2.6 Install retainer ring (2-40) into outboard groove located on the outer diameter of M3 adapter (1-90).

3.3.2.7 Install O-ring seal (2-30) onto M3 jackscrew (1-70).

NOTE:

Move the O-ring seal (2-30) down the M3 jackscrew until it is next to the M3 adapter.

3.3.2.8 Install hex nut (1-80) and CSK washer (2-35) onto M3 jackscrew (1-70).

NOTE:

Rotate the hex nut down the M3 jackscrew until it is next to the M3 adapter.

3.3.3 Apply a coating of lubricant to the torque shaft holes located on each side of housing (1-10).

3.3.4 Coat O-ring seals (2-20) with lubricant and install in the grooves located in the torque shaft through holes located on each side of housing (1-10).

NOTE:

The cup of rod wiper seal will be installed facing down into the housing.

3.3.5 Coat yoke (1-20) with lubricant and install into housing (1-10). Apply a generous amount of lubricant to the slots in the arms of yoke (1-20).

3.3.6 Insert the yoke key spring (1-50), with the ends pointing down, into the slot in the torque shaft (1-30) and place the yoke key (1-40) on top of the spring with the tapered side outward.

 WARNING

If the yoke key (1-40) is installed incorrectly the housing may be damaged when next disassembly occurs. Refer to assembly drawing for correct yoke key spring and yoke key orientation.

- 3.3.7** Hold the yoke key (1-40) down with your thumb; insert the torque shaft (1-30) by gently rotating it into the housing (1-10) and yoke (1-20) on the opposite side of the installed O-ring seal (2-20).

CAUTION

Rotate the torque shaft until the yoke key snaps into the yoke keyway.

NOTE:

Two new retaining rings (1-60) and washers (1-65) are contained in the Bettis CBB Service Kits.

- 3.3.8** Install one of the new retaining ring (1-60) and washer (1-65) onto the exposed end of the torque shaft, making certain it is properly seated in the groove of the torque shaft (1-30). Gently push and rotate the torque shaft (1-30).
- 3.3.9** Rotate the torque shaft (1-30) so that the arms of yoke (1-20) point out the open end of housing (1-10).
- 3.3.10** Coat O-ring seal (5-20) with lubricant and install in the internal seal groove of the center bar “hole” located in housing (1-10).
- 3.3.11** Coat the following areas of piston (4-50) with lubricant: The outer diameter seal groove, inner diameter seal groove, head of piston and exposed ends of yoke pin.
- 3.3.12** Coat O-ring seal (5-20) with lubricant and install in the internal seal groove in the head of piston (4-50).
- 3.3.13** Coat piston seal (5-40) with lubricant and install into outer diameter seal groove of piston (4-50). The piston seal will fit very loosely in the outer diameter seal groove.
- 3.3.14** Coat entire length of center bar (8-10) with lubricant, including the threads.
- 3.3.15** Install piston (4-50) onto center bar (8-10).
- 3.3.16** Install bushing (4-80) between the two arms of yoke (1-20).
- 3.3.17** With the piston head facing away from housing (1-10) and with yoke pin up, install center bar (8-10) in the open end of housing (1-10) and push the center bar through the center bar “hole” of housing (1-10).
- 3.3.18** Install hex nut (8-20) onto one end of center bar (8-10) that is protruding through the center bar “hole” of housing (1-10).
- 3.3.19** Carefully slide piston (4-50) along center bar (8-10) until yoke pin engages the two slots in the arms of yoke (1-20).

NOTE:

While holding the center bar flush against the housing, push piston (4-50) into housing (1-10) as far as the piston will go. Check to see that bushing (4-80) is positioned between the yoke (1-20) and the stem of piston (4-50).

- 3.3.20** Coat one O-ring seal (5-10) with lubricant and install onto outer diameter flange located on housing adapter end of housing (1-10).

- 3.3.21** Actuators equipped with cylinder adapter (4-15), models CBB520 and 725, do steps as follows:
- 3.3.21.1** Install cylinder adapter (4-15) onto the flange of housing (1-10) and over O-ring seal (5-10), with the stepped outer diameter, of cylinder adapter (4-15), facing away from housing (1-10).
 - 3.3.21.2** Install one o-seal (5-15) onto stepped diameter of cylinder adapter (4-15).
- 3.3.22** Apply a coating of lubricant to entire bore of cylinder (4-10).
- 3.3.23** Pneumatic cylinder installation:
- 3.3.23.1** For CBB520 and 725 models, install the lubricated cylinder (4-10) over the piston and up-against the O-ring seal (5-15) on the stepped diameter flange of cylinder adapter (4-15).
 - 3.3.23.2** For CBB315, 420 and 525 models install the lubricated cylinder (4-10) over the piston and up-against the O-ring seal (5-10) on the flange of housing (1-10).
- 3.3.24** Coat O-ring seal (5-20) with lubricant and install into internal diameter seal groove of the end cap (4-20).
- 3.3.25** M3 Jackscrew (4-30) End Cap Installation for CBB315/415-M3 Model Actuators (includes M3HW models).
- 3.3.25.1** Apply a light coating of lubricant to the threads of M3 jackscrew (4-30).

NOTE:

The M3 jackscrew will be installed from the cylinder side of end cap (4-20).

- 3.3.25.2** Install and rotate M3 jackscrew (4-30) into end cap (4-20).
-

NOTE:

Rotate the M3 jackscrew into the end cap (4-20) until the inboard end of the M3 jackscrew is up against the end cap (4-20).

- 3.3.25.3** Install seal (5-30) onto M3 jackscrew (1-70).
-

NOTE:

Move the O-ring seal (2-30) down the M3 jackscrew until it is next to the end cap (4-20).

- 3.3.25.4** Continue reassembly at step 3.3.27.
- 3.3.26** M3 Jackscrew End Cap (4-20) Installation for CBB420-M3 through CBB725-M3 Model Actuators (includes M3HW models).
- 3.3.26.1** Apply a coating of lubricant to outer diameter and inner diameter threads of M3 adapter (4-55).
 - 3.3.26.2** Coat O-ring seal (5-45) with lubricant and install into outer diameter seal groove located in the M3 adapter (4-55).
 - 3.3.26.3** Apply a light coating of lubricant to the threads of M3 jackscrew (4-30).
 - 3.3.26.4** Install and rotate M3 jackscrew (4-30) into M3 adapter (4-55).

NOTE:

Rotate the M3 jackscrew into the M3 adapter (4-55) until the inboard end of the M3 jackscrew is up against the M3 adapter (4-55). The M3 adapter will be installed from the cylinder side of end cap (4-20).

3.3.26.5 Install M3 adapter (4-55) into end cap (4-20).

3.3.26.6 Install retainer ring (5-60) into outboard groove located on outer diameter of M3 adapter (4-55).

3.3.26.7 Install thread seal (5-30) onto M3 jackscrew (1-70).

NOTE:

Move the thread seal (5-30) down the M3 jackscrew until it is next to the M3 adapter (4-55).

3.3.26.8 Install hex nut (4-40) and CSK washer (5-35) onto M3 jackscrew (1-70).

NOTE:

Rotate the hex nut down the M3 jackscrew until it is next to the M3 adapter (4-55).

3.3.27 End cap outer diameter seal installation.

3.3.27.1 For CBB415/520/725 models install O-ring seal (5-15) onto the outer diameter of end cap (4-20).

3.3.27.2 For CBB315/420/525 models install O-ring seal (5-10) onto the outer diameter of end cap (4-20).

NOTE:

Position the end cap (4-20) so that the inlet port is at the bottom and the M3 jackscrew (4-30) is at the top of the actuator.

3.3.28 Install end cap (4-20) onto center bar (8-10) and cylinder (4-10).

⚠ WARNING

If step 3.3.29 is not completed as described the center bar O-ring seals (5-20) may become a source of pressure leakage and cause the actuator to fail.

3.3.29 Install the second hex nut (8-20) onto the cylinder end of center bar (8-10). Adjust the two hex nuts (8-20) such that the approximate same number of threads is exposed on the ends of the center bar (8-10).

⚠ WARNING

Do not allow end cap (4-20) to rotate during center bar tightening. The end cap must maintain the position as described in step 3.3.27. M3 jackscrew must be installed to be in alignment with the target located on the piston assembly (4-50).

3.3.30 Tighten center bar hex nuts (8-20) to the proper torque as specified in the following chart:

Table 4. Tightening Torque Center Bar (2)

CBB Actuator Model	Maximum Torque	
	lb-in	Nm
315	55	75
420 AND 520	100	136
525 AND 725	130	176

3.3.31 Adjust both M3 jackscrews (4-30) and (1-70) back to setting recorded in Section 2 step 2.1.2 under General Disassembly. Tighten both M3 jackscrew hex nuts (4-40) and (1-80) securely, while holding M3 jackscrews (1-70).

3.3.32 M3 hex drive hub or hand wheel installation as follows:

3.3.32.1 Install hex drive hub (12-10) or hand wheel (12-10) onto M3 jackscrews (4-30) and (1-70) and align the “hole” of the drive hub with the “hole” located in the outboard end of M3 jackscrews (4-30) and (1-70).

3.3.32.2 Install retainer ring (12-30) and groove pin (12-20) into the hex drive hub (12-10) or hand wheel (12-10).

Section 4: Actuator Testing

4.1 Actuator Testing

- 4.1.1 **Leak Test:** A small amount of leakage may be tolerated. Generally, a small bubble which breaks about three seconds after starting to form is considered acceptable.
- 4.1.2 All areas, where leakage may occur, are to be checked using a commercial leak testing solution.

WARNING

Pressure is not to exceed the maximum operating pressure rating listed on the serial number tag (20).

- 4.1.3 All leak testing will use the customer normal operating pressure or the actuator name tag normal operating pressure (NOP).

NOTE:

When testing the actuator use a proper adjusted regulator to apply pressure to the actuator.

- 4.1.4 Before testing for leaks, apply and release the pressure listed in step 4.1.3 to both sides of the piston. Repeat this cycle approximately five times. This will allow the new seals to seek their service condition.
- 4.1.5 Apply the pressure listed in step 4.1.3 to the housing side of the piston and allow the actuator to stabilize.
- 4.1.6 Apply a leak testing solution to the following areas:
 - 4.1.6.1 Cylinder to housing joint on CBB315, 420, and 525 or cylinder to cylinder adapter to housing joints on CBB520 and 725 actuators.
 - 4.1.6.2 On the outboard end of housing (1-10) at the center bar hex nut. Check the center bar to housing O-ring seal (5-20).
 - 4.1.6.3 Housing stop screw / ES / M3 jackscrew O-ring seal (2-30).
 - 4.1.6.4 Torque shaft (1-30) to housing (1-10) interface. Check O-ring seals (2-25) and (2-20).
 - 4.1.6.5 End cap (4-20) port "hole". Checks the piston to cylinder seal (5-40) and piston to center bar seal (5-20).
- 4.1.7 Apply the pressure listed in step 4.1.3 to the end cap inlet port and allow the actuator to stabilize.
- 4.1.8 Apply a leak testing solution to the following areas:
 - 4.1.8.1 Cylinder to end cap joint. Check O-ring seal (5-10) on CBB315, 420, and 525 or check O-ring seal (5-15) on CBB520 and 725 actuators.
 - 4.1.8.2 Housing (4-10) inlet port hole. Checks the piston to cylinder seal (5-40) and piston to center bar seal (5-20).
 - 4.1.8.3 End cap stop screw or M3 jackscrew O-ring seal.
 - 4.1.8.4 Remove pressure from pressure inlet port in the end cap (4-20).

- 4.1.9** If an actuator was disassembled and repaired as a result of this procedure, the above leakage test must be performed again.
- 4.1.10 Shell Pressure Test:** Optional pressure test could be performed on the actuator by applying pressure to both sides of the piston simultaneously for a period of two (2) minutes. If any leakage occurs across a static seal, the unit must be disassembled and the cause of leakage determined and corrected.

WARNING

The actuator's main pressure bearing parts will be tested in controlled conditions by pressuring both sides of the piston to avoid damage and over torquing of the actuator components. If further future testing in the field is necessary, Emerson should be contacted for guidance.

- 4.1.11** After the actuator is installed back on the valve all accessories should be hooked up and tested for proper operation and replaced, if found defective.

Section 5: Troubleshooting

5.1 Fault Insertion

In the unlikely event of a fault developing, the following Fault Location Table is provided to assist the service engineer. This table is designed to cover a wide a range of Emerson Bettis actuators as possible. Reference to equipment not supplied should be ignored.

Table 5. Symptoms and Solutions Table

SYMPTOM	POTENTIAL CAUSES	REMEDY
Erratic movement	Irregular supply of operating medium	Check operating medium for consistent supply pressure and correct as necessary
	Inadequate lubrication	Dismantle, relubricate and reassemble
	Worn parts	Dismantle and visually inspect for significant wear and actuator replacement may be required
	Defective valve	Consult the valve OEM's documentation
Short stroke	Incorrectly set stops (valve and/or actuator)	Check the position of the travel stops and readjust as necessary
	Hardened grease	Dismantle, remove any hard grease, relubricate and reassemble
	Debris left in the cylinder or housing during maintenance	Disassemble cylinder assembly to remove debris and reassemble cylinder assembly as necessary
	Defective valve	Consult the valve OEM documentation
Apparent lack of torque	Inadequate supply pressure	Ensure supply pressure is above the minimum operating pressure of the actuator and that output torque produced at supply pressure exceeds valve torque demand
	Incorrect speed control settings	Adjust speed controls to increase flow
	Exhaust port blocked	Remove and clean the exhaust port silencers and replace
	Pipe work blocked, crushed or leaking	Examine the pipe work for blockages, crushed pipe or leakage and clear or replace as necessary
	Defective controls	Examine the controls, refurbish or renew as necessary and refer to component manufacturer's documentation
	Defective piston seal	Dismantle the cylinder assembly, remove the defective piston seal and fit new seal and reassemble
	Defective rod seal	Dismantle the cylinder assembly, remove the defective rod seal and fit new seal and reassemble
	Defective housing seal	Dismantle the housing assembly, remove the defective seal and fit new seal and reassemble
High valve torque or valve seized	Consult the valve OEM documentation	

5.2 Operational Test

5.2.1 Full Stroke Test

The “Full Stroke Test” (“On-line”) must be performed to satisfy the PFD_{AVG} (average probability of failure on demand) value. The full stroke test frequencies will be defined by the final installer to achieve the defined SIL level.

5.2.1.1 Procedure

5.2.1.1.1 Stroke the actuator/valve assembly two complete open/close cycles with complete closing of the valve.

5.2.1.1.2 Verify the open/close cycles functioned correctly (e.g., check locally, or automatically via logic solver, the correct movement of the actuator/valve).

5.2.1.1.3 Upon successful completion of the above described full stroke test procedure, the “test coverage” can be considered 99%.

5.2.2 Partial Stroke Test (when requested)

The “Partial Stroke Test” (“On-line”) can be performed to improve the PFD_{AVG} value and to satisfy PFD_{AVG} (average probability of failure on demand) value. A typical partial stroke value is 15% of the stroke and the recommended test interval is about every one to three months.

5.2.2.1 Procedure

5.2.2.1.1 Operate the actuator/valve assembly for No° 1 open/close cycles 15% of the stroke.

5.2.2.1.2 Verify the partial stroke test functioned correctly (e.g. check locally, or automatically via Logic solver, or via the PST system the correct movement of the actuator/valve was 15% of the stroke).

NOTE:

The above test is only applicable on systems equipped with a partial stroke feature.

Section 6: Removal and Decommissioning

6.1 Removal and Decommissioning

WARNING

Always follow safe work practices remove and disassemble CBB-Series actuator.

The below basic procedure should not supersede or replace any customer's plant safety or work procedures. If a conflict arises between this procedure and the customer's procedures, the differences should be resolved in writing between an authorized customer's representative and an authorized Emerson/Bettis representative.

CAUTION

Make sure actuator is isolated before removing from valve. Turn OFF the power medium and bleed off all pressure first, including storage tank (if present). Next, bleed off pilot pressure, disconnect: pneumatic pressure supply, pilot tubing and electrical wiring (if equipped).

Before starting the disassembly, a large area should be created around the actuator so to allow any kind of movement.

Separate the parts composing the actuator according to their nature (ex. metallic and plastic materials, fluids etc.) and send them to differentiated waste collection sites, as provided for by the laws and provisions in force.

- 6.1.1** Drain tanks and remove tubing from actuator. Remove accessories (if equipped) and control from actuator.
- 6.1.2** Remove all equipment mounted on top of actuator (limit switches, end of stroke valve, and relevant pneumatic/electric connection, etc.).
- 6.1.3** Remove mounting bolts and actuator is ready to be removed from valve. For complete actuator tear down refer to Section 2 of the manual.

Section 7: Document Revision

Table 6. Revision Overview

ECN	DATE	REVISION	STATUS	BY *	DATE
Released	May 2012	0		Charles Khalid S. Rico	May 2012
VAWCO2794	October 2015	1	UPDATED	Charles Khalid S. Rico	October 2015

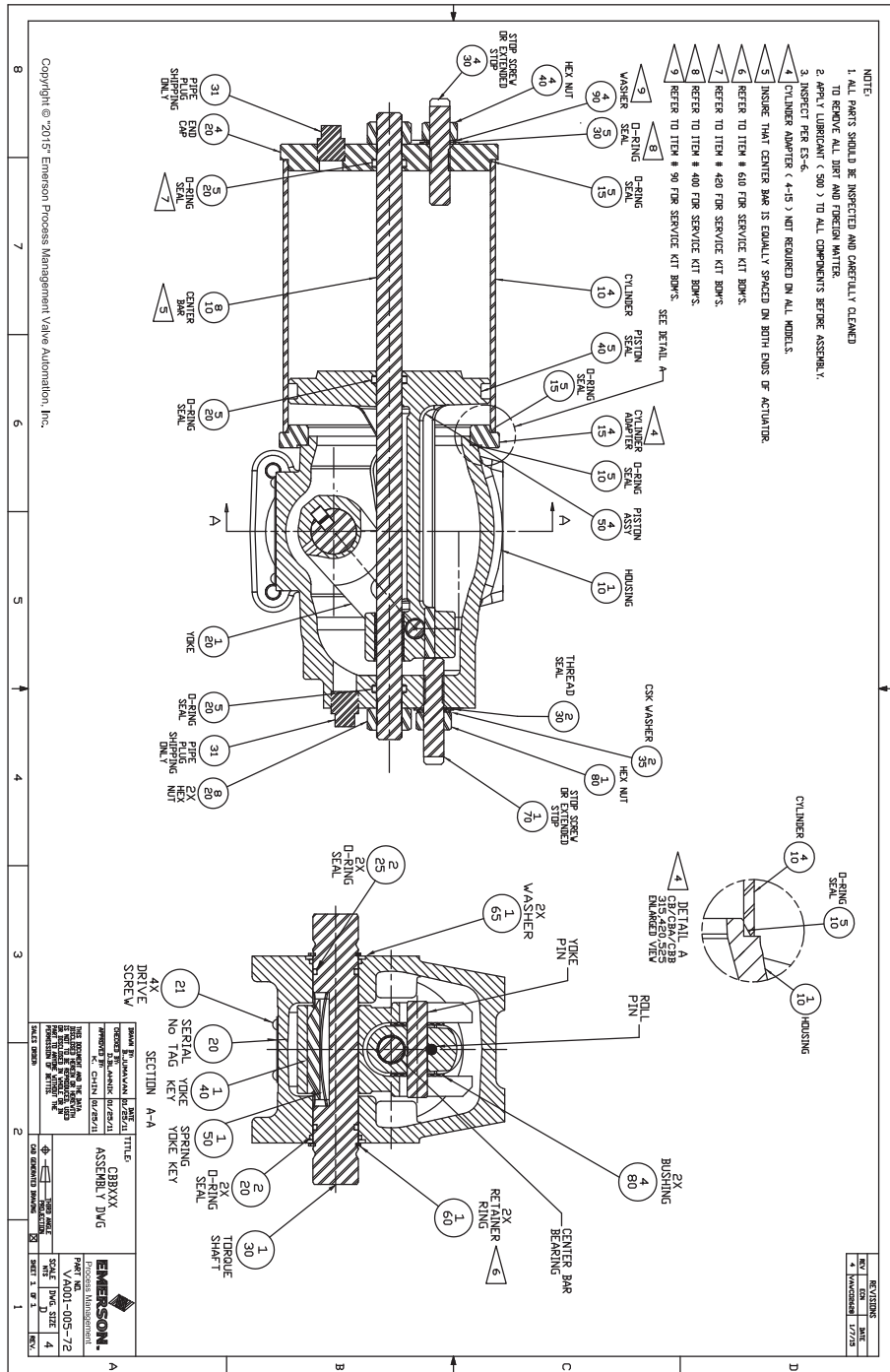
* Signatures on file Bettis, Houston, Texas

List of Tables

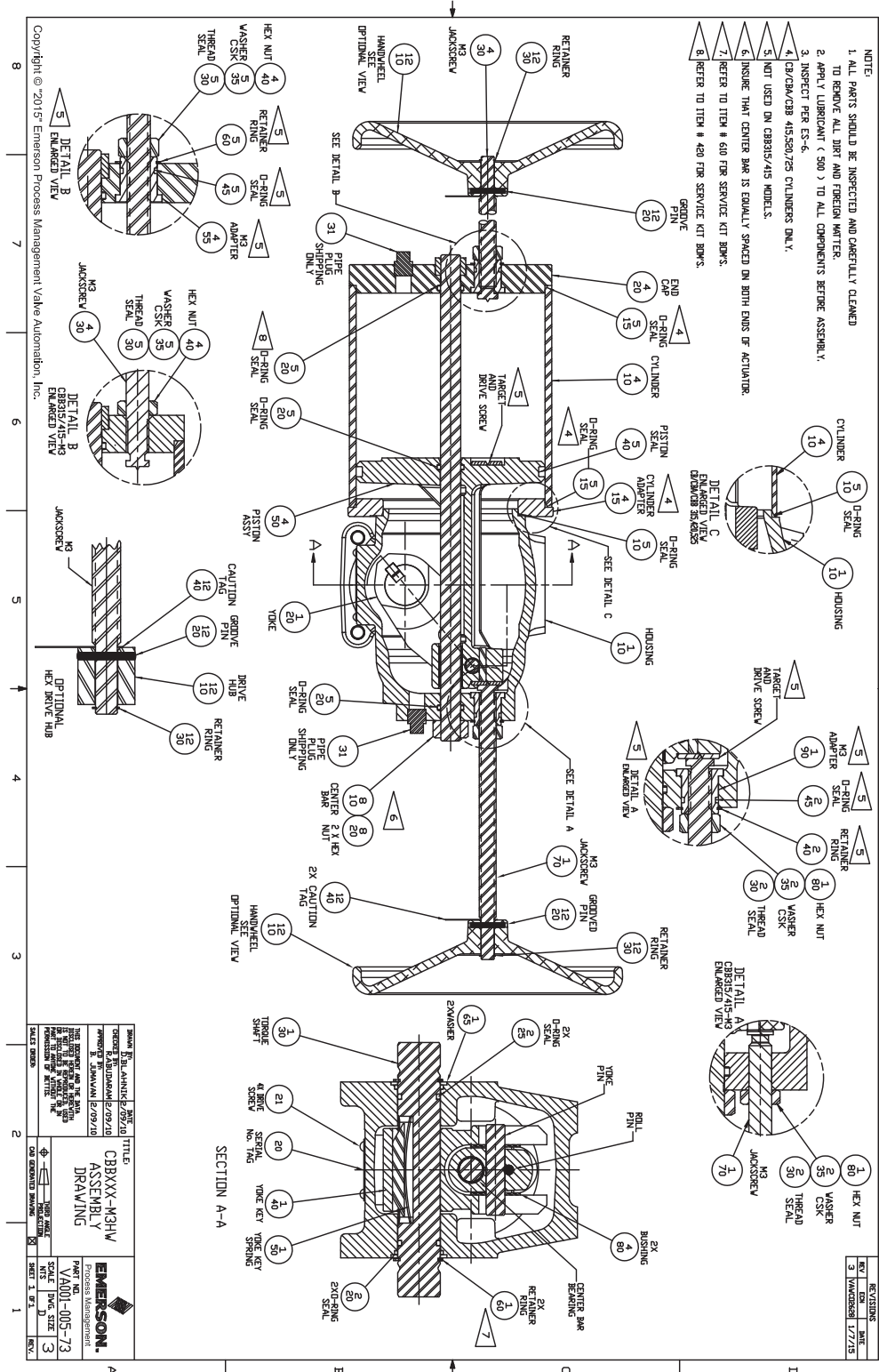
Table 1	CBB Model Numbers	1
Table 2	Actuator Weight	3
Table 3	Tightening Torque Center Bar (1)	13
Table 4	Tightening Torque Center Bar (2)	19
Table 5	Symptoms and Solutions Table	22
Table 6	Revision Overview	25

Appendix A: List of Drawings

A.1 Part No. VA001-005-72-4, CBBXXX Assembly Drawing



A.2 Part No. VA001-005-73-3, CBBXXX-M3HW Assembly Drawing



World Area Configuration Centers (WACC) offer sales support, service, inventory and commissioning to our global customers. Choose the WACC or sales office nearest you:

NORTH & SOUTH AMERICA

19200 Northwest Freeway
Houston TX 77065
USA
T +1 281 477 4100

Av. Hollingsworth
325 Iporanga Sorocaba
SP 18087-105
Brazil
T +55 15 3413 8888

ASIA PACIFIC

No. 9 Gul Road
#01-02 Singapore 629361
T +65 6777 8211

No. 1 Lai Yuan Road
Wuqing Development Area
Tianjin 301700
P. R. China
T +86 22 8212 3300

MIDDLE EAST & AFRICA

P. O. Box 17033
Jebel Ali Free Zone
Dubai
T +971 4 811 8100

P. O. Box 10305
Jubail 31961
Saudi Arabia
T +966 3 340 8650

24 Angus Crescent
Longmeadow Business Estate East
P.O. Box 6908 Greenstone
1616 Modderfontein Extension 5
South Africa
T +27 11 451 3700

EUROPE

Holland Fasor 6
Székesfehérvár 8000
Hungary
T +36 22 53 09 50

Strada Biffi 165
29017 Fiorenzuola d'Arda (PC)
Italy
T +39 0523 944 411

For complete list of sales and manufacturing sites, please visit www.emerson.com/actuationtechnologieslocations or contact us at info.actuationtechnologies@emerson.com

www.emerson.com/bettis

VCIOM-13250-EN ©2019 Emerson. All rights reserved.

The Emerson logo is a trademark and service mark of Emerson Electric Co. Bettis™ is a mark of one of the Emerson family of companies. All other marks are property of their respective owners.

The contents of this publication are presented for information purposes only, and while every effort has been made to ensure their accuracy, they are not to be construed as warranties or guarantees, express or implied, regarding the products or services described herein or their use or applicability. All sales are governed by our terms and conditions, which are available on request. We reserve the right to modify or improve the designs or specifications of our products at any time without notice.

BETTIS™

