

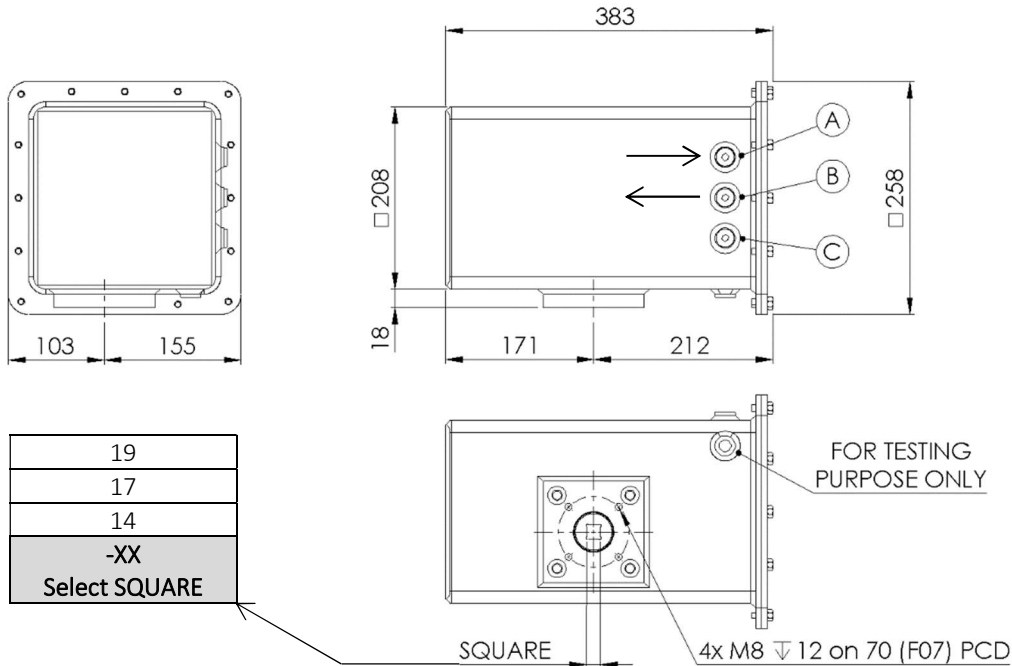
BRA-0255-FC-12-S-A2

SUBMERSIBLE ACTUATOR – DATA SHEET

Description

Actuators in the Spacx submersible series are pneumatic, spring return, fail-close actuators for quarter turn valves. Fully suitable for permanent submersible duty in (sea) water up to a depth of 20 meters. Position feedback is pneumatic, so no electrical connections are required. Actuator is equipped with an extra supply port for emergency operation.

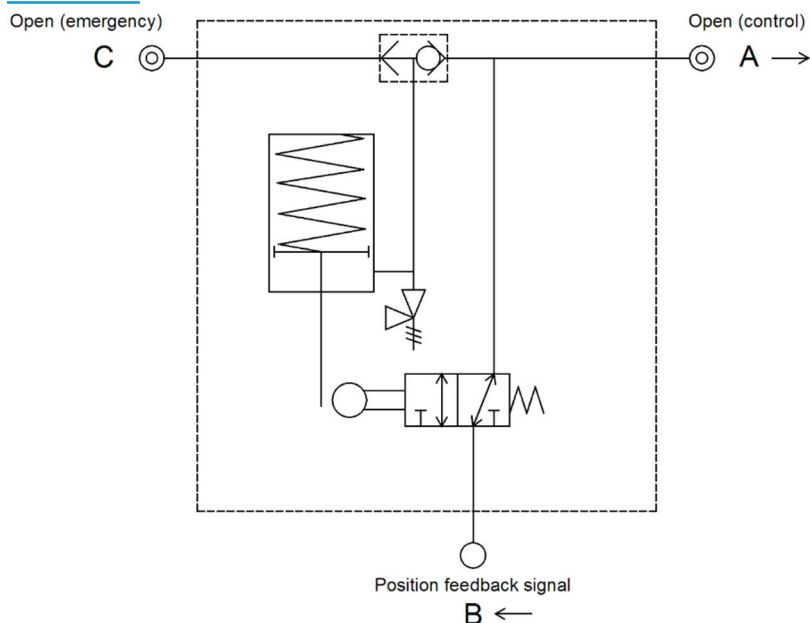
Main Dimensions [mm]



Technical Data

Nominal pressure	Maximum pressure	Output torque	Pneumatic connections	Weight	Housing material	Coating
6 bar	8 bar	126 Nm	1/4"	22 kgs	Carbon steel	2-pack epoxy 200µm TDFT - black

Schematic



Spacx article no.: 681.195

Spacx Actuators & Controls

Heinz Moormanstraat 1^E, 5831 AS Boxmeer – The Netherlands
 +31 (0)485-324739 – info@spacx.nl – www.spacx.nl
 All rights reserved, data is subject to change without notice